

Barter Theatre
Spring 2015 Tour & Stage 2

Barter Players
2015 Spring Tour

Velveteen Rabbit

Drawing Date: 8.6.2014

Revision Date: n/a

Plot Date: n/a

Director: Barrett Guyton

Tech Director: Caspar Eichin

Dwg By: HMB

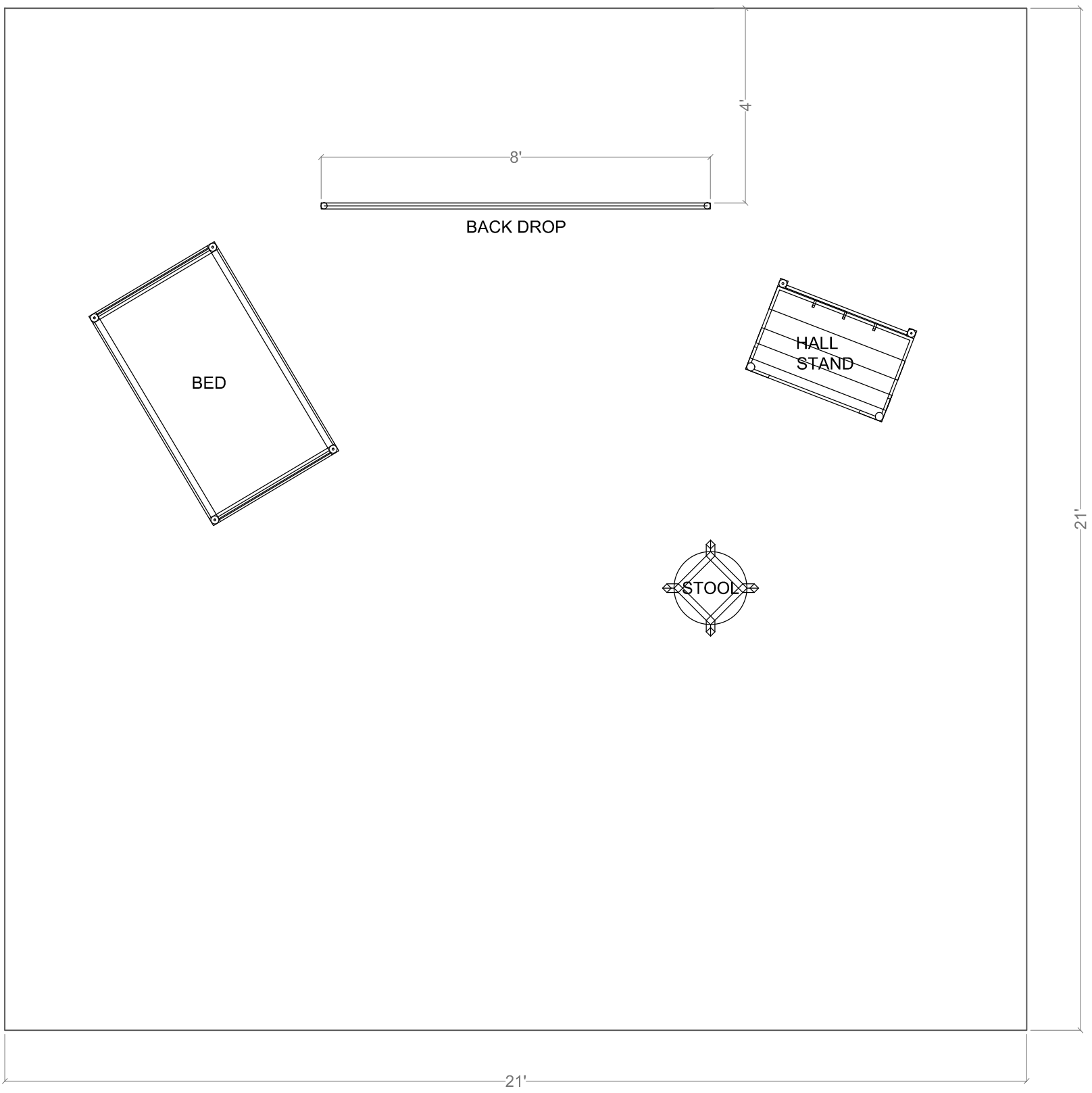
Designer: Holly M Breuer

Drawing: Groundplan

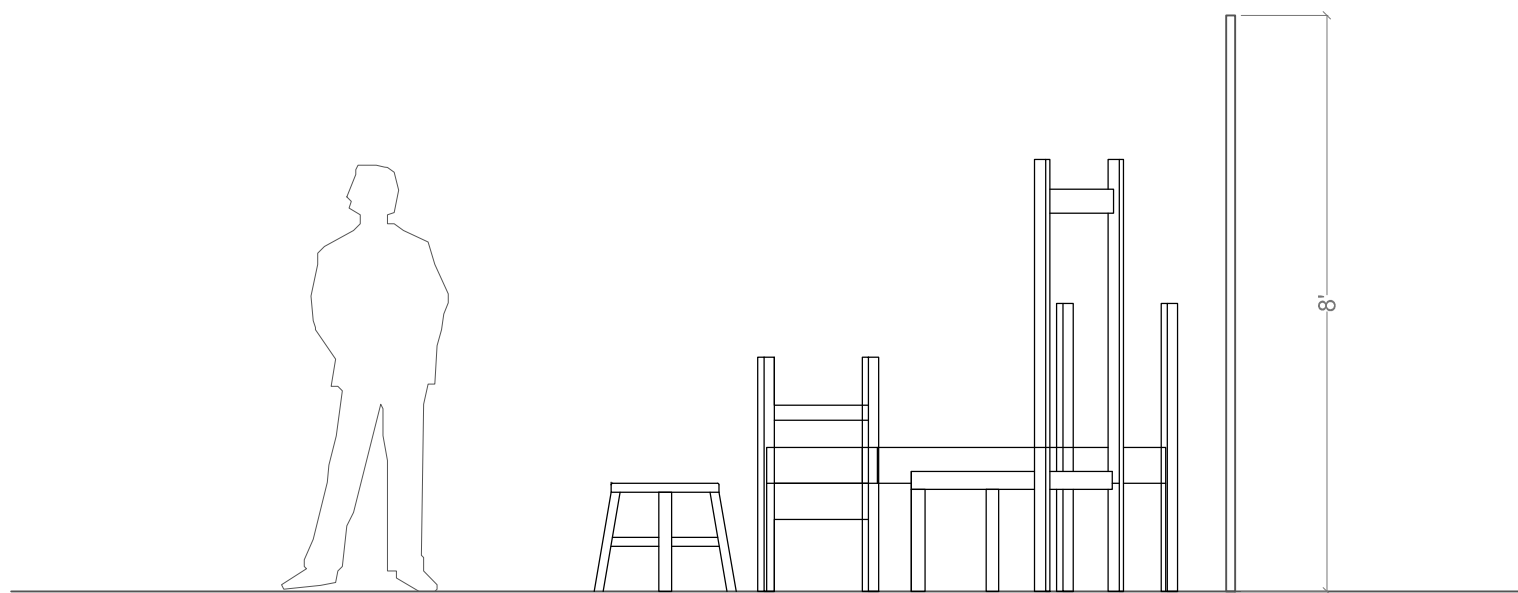
Plate Scale: 3/8" = 1'-0"

Plate

1 of 4



NOTE: BED - PULLED FROM
PLAYER'S STOCK.



Barter Theatre
Spring 2015 Tour & Stage 2

Barter Players
2015 Spring Tour



Velveteen Rabbit

Drawing Date: 8.6.2014

Revision Date: n/a

Plot Date: n/a

Director: Barrett Guyton

Tech Director: Caspar Eichin

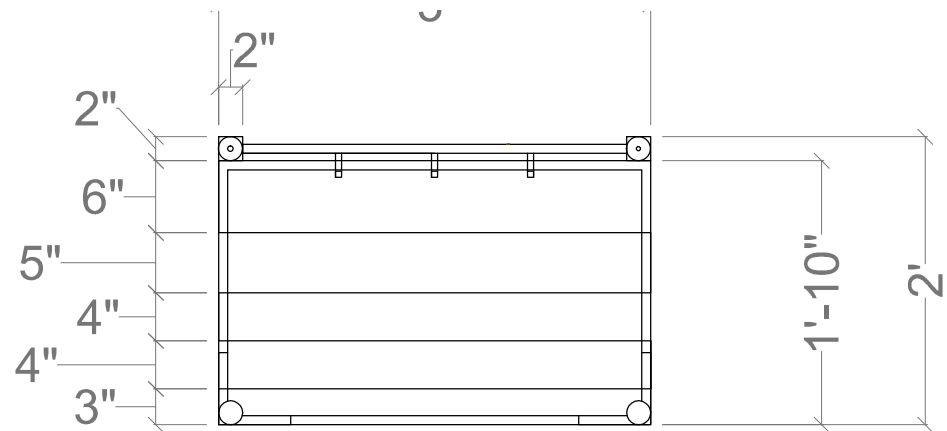
Dwg By: HMB

Designer: Holly M Breuer

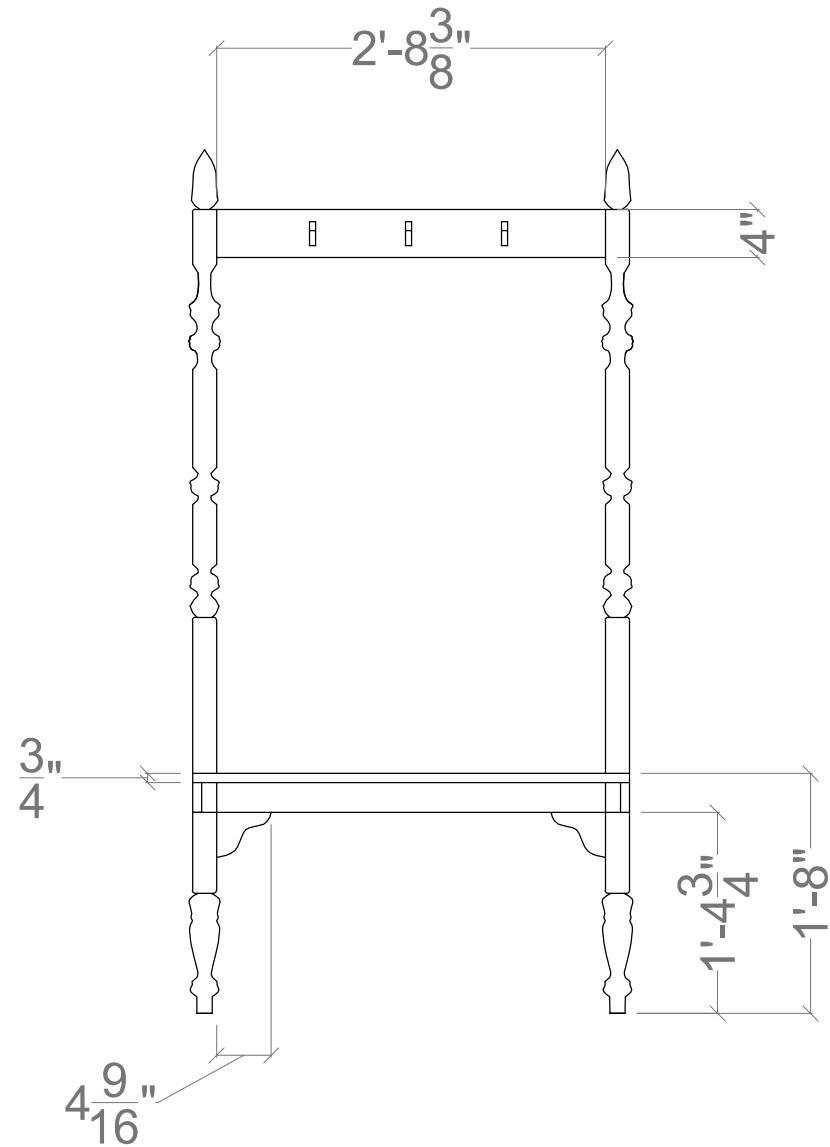
Drawing: Section - Full Stage View

Plate Scale: 3/8" = 1'-0"

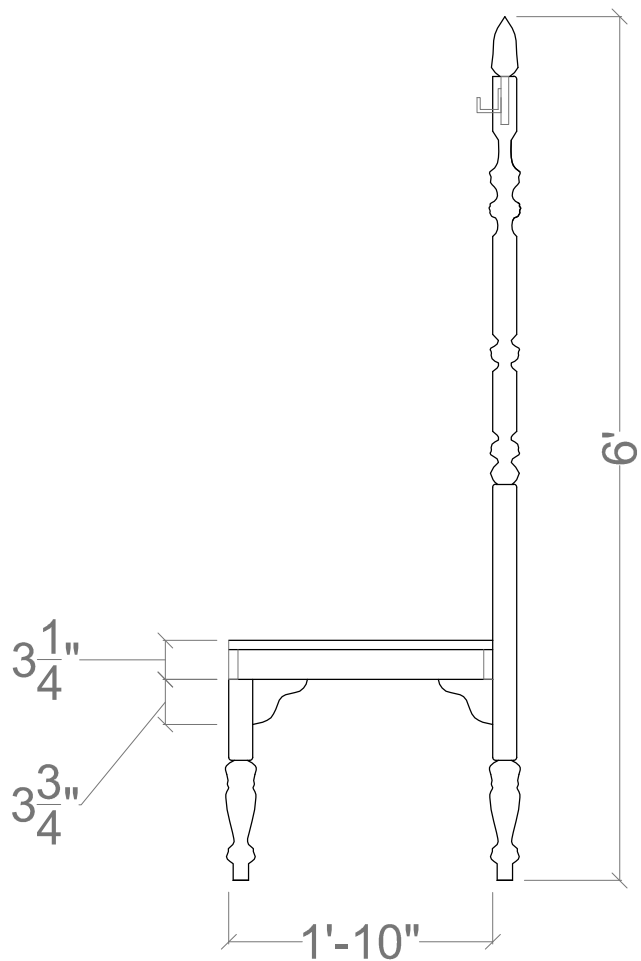
Plate
2 of 4



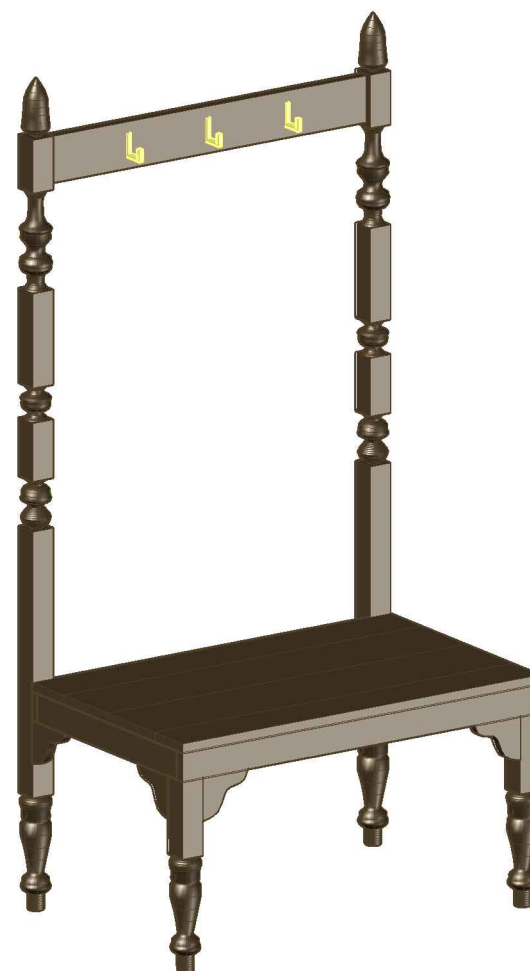
TOP VIEW



FRONT VIEW



SIDE VIEW



Barter Theatre
Spring 2015 Tour & Stage 2

Barter Players
2015 Spring Tour

Velveteen Rabbit

Drawing Date: 8.6.2014

Revision Date: 8.19.2014

Plot Date: n/a

Director: Barrett Guyton

Tech Director: Caspar Eichin

Dwg By: HMB

Designer: Holly M Breuer

Drawing: Hall Stand

Plate Scale: 3/4" = 1'-0"

Plate
3 of 4

NOTE: MATERIAL FOR COLOR PORTIONS OF QUILT WILL BE ACQUIRED BY DESIGNER.

PLEASE PURCHASE MEDIUM WEIGHT MUSLIN IN PIECE LARGE ENOUGH TO ALLOW FOR HEM AND BACKING ENTIRE QUILT DROP.

WILL USE PLAYER'S STOCK 8'X8' FRAMING UNIT. - WHAT DOES THIS REQUIRE FOR THE TREATMENT OF THE EDGES OF THE DROP?



Barter Theatre
Spring 2015 Tour & Stage 2

Barter Players
2015 Spring Tour

Velveteen Rabbit

Drawing Date: 8.6.2014

Revision Date: 8.25.2014

Plot Date: n/a

Director: Barrett Guyton

Tech Director: Caspar Eichin

Dwg By: HMB

Designer: Holly M Breuer

Drawing: Quilt

Plate Scale: 1" = 1'-0"

Plate
4 of 4