

PAINTED BACKDROP

GROUNDROW

VOILE DROP

LANTERN, TYP.

Barter Theatre
Stage II

Barter Players
2014 Fall Season

Anne of Green Gables

Drawing Date: 8.14.2014
 Revision Date: 8.25.2014
 Plot Date: n/a

Director: Katy Brown

Tech Director: Caspar Eichin

Org By: HMB

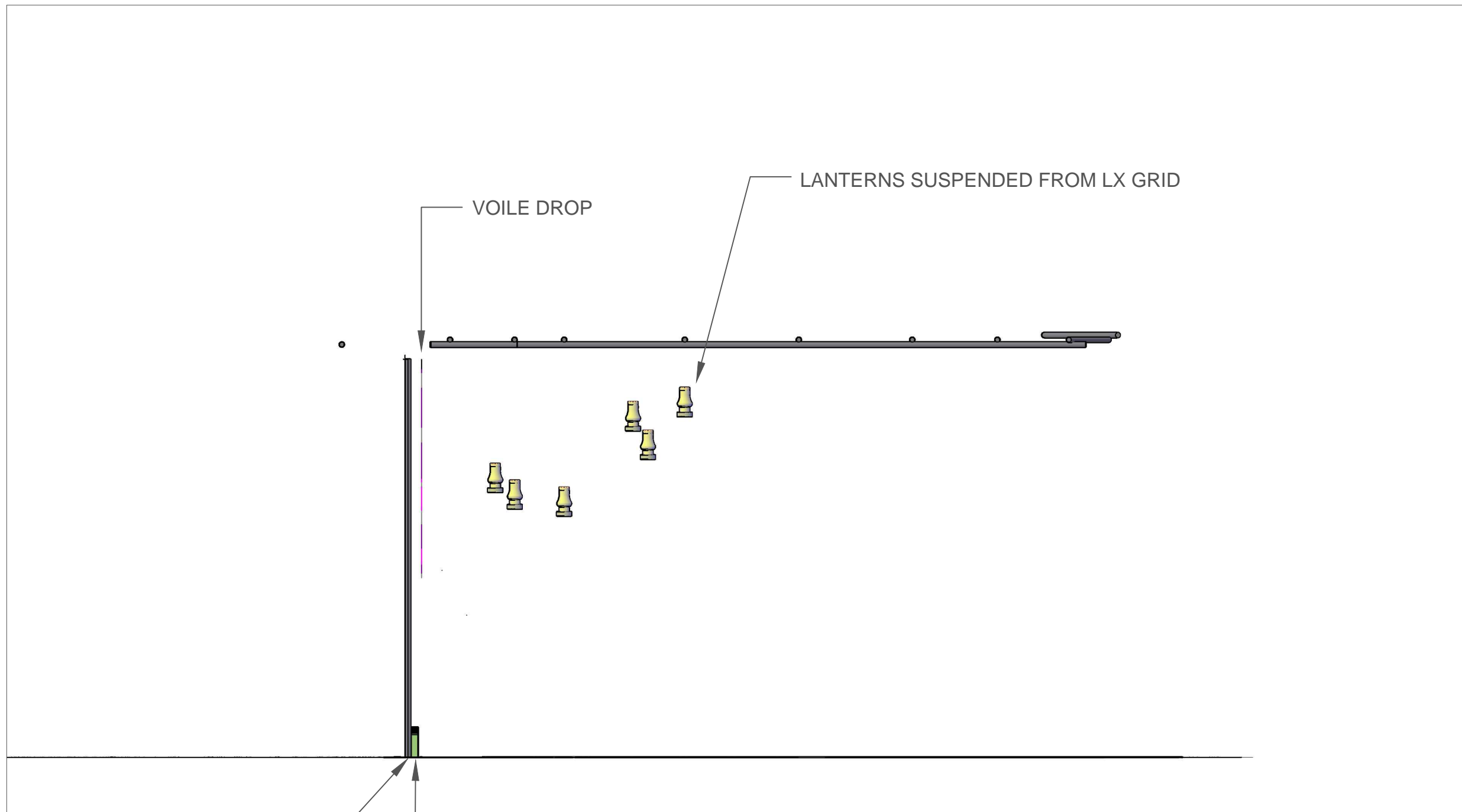
Designer: Holly M Breuer

Drawing: Groundplan

Plot Scale: 1/4" = 1'-0"

Plate
1 of 6

NOTE: VOILE DROP WILL WANT TO HANG FROM THE GREEN DRAPE'S TRAVELER TRACK, IF POSSIBLE.



Barter Theatre
Stage II

Barter Players
2014 Fall Season



Anne of Green Gables

Drawing Date: 8.14.2014
Revision Date: 8.25.2014
Plot Date: n/a

Director: Katy Brown
Tech Director: Caspar Eichin
Dwg By: HMB

Designer: Holly M Breuer

Drawing: Section


Plot Scale: 1/4" = 1'-0"

Plate
2 of 6



Barter Theatre
Stage II

Barter Players
2014 Fall Season



Anne of Green Gables

Drawing Date: 8.14.2014
 Revision Date: 8.25.2014
 Plot Date: n/a

Director: Katy Brown

Tech Director: Caspar Eichin

Org By: HMB

Designer: Holly M Breuer

Drawing: Front View

Plot Scale: 3/8" = 1'-0"

Plate
2A of 6

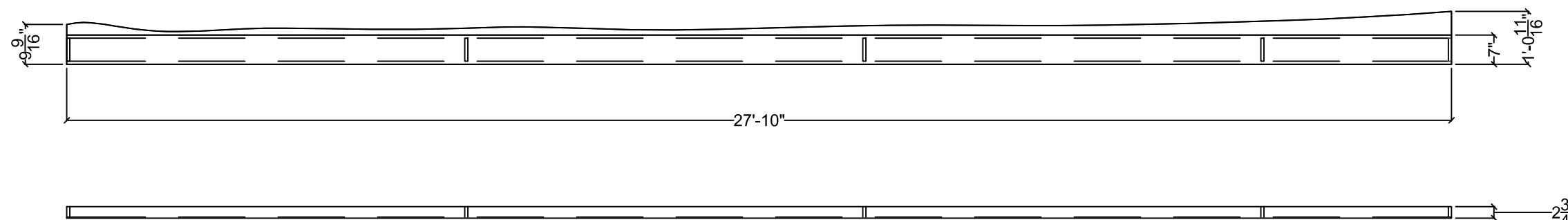


14'


26'-8"

BACK DROP

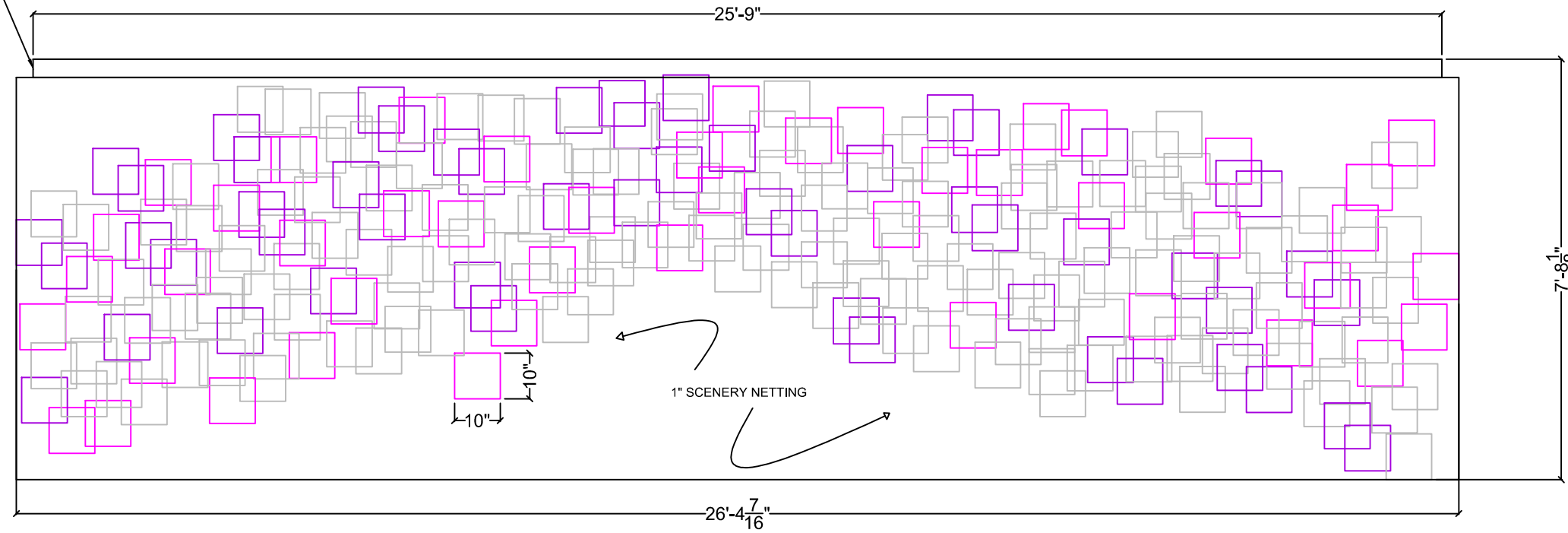
NOTE: DROP WILL BE PAINTED OVER SUMMER 2014 "SLEEPING BEAUTY" DROP.



GROUND ROW

Barter Theatre Stage II
Barter Players 2014 Fall Season

<i>Anne of Green Gables</i>
Drawing Date: 8.14.2014
Revision Date: 8.25.2014
Plot Date: n/a
Director: Katy Brown
Tech Director: Caspar Eichin
Dwg By: HMB
Designer: Holly M Breuer
Drawing: Backdrop
Plot Scale: 3/8" = 1'-0"
Plate # 3 of 6

JUTE STRIP,
COVERED IN BLACK
DUV TO MASK.




CHIFFON DROP

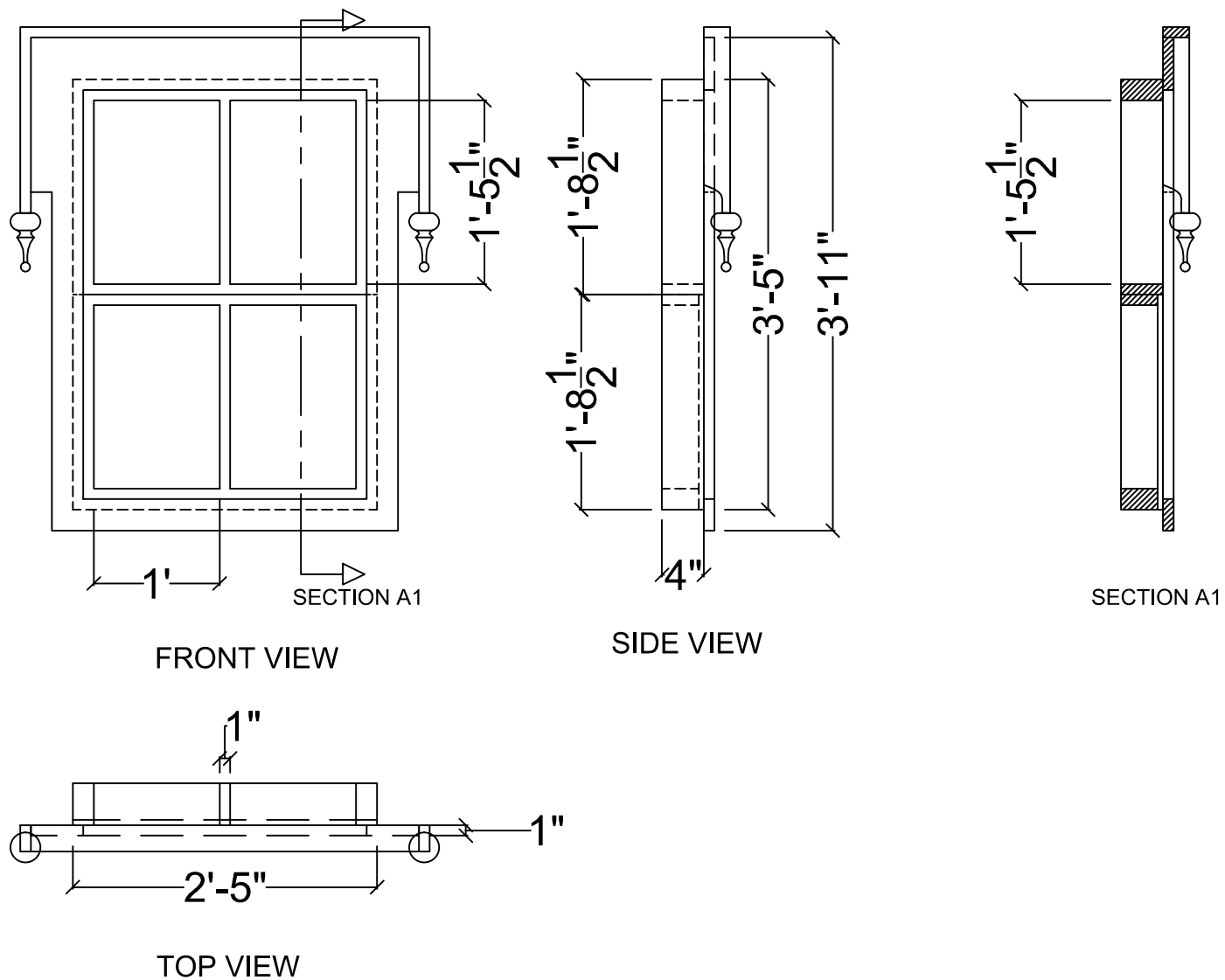
NOTE: "DROP" TO BE BACKED WITH 2.5 YARDS OF 30' SCENERY NETTING (1" SQUARES), WHITE, FROM ROSEBRAND.

NOTE: "DROP" WILL BE CONSTRUCTED OF 10" SQUARES OF IFR VOILE FROM ROSEBRAND, CONSTRUCTED BY SET DESIGNER USING DOUBLE-SIDED FUSIBLE STRIPS.

ROSEBRAND COLORS:

1. WHITE
2. BLUSH
3. LAVENDER


Barter Theatre Stage II
Barter Players 2014 Fall Season

<i>Anne of Green Gables</i>
Drawing Date: 8.14.2014
Revision Date: 8.22.2014
Plot Date: n/a
Director: Katy Brown
Tech Director: Caspar Eichin
Drawn By: HMB
Designer: Holly M Breuer
Drawing: Voile Drop
Plot Scale: 3/8" = 1'-0"
Plate # 4 of 6

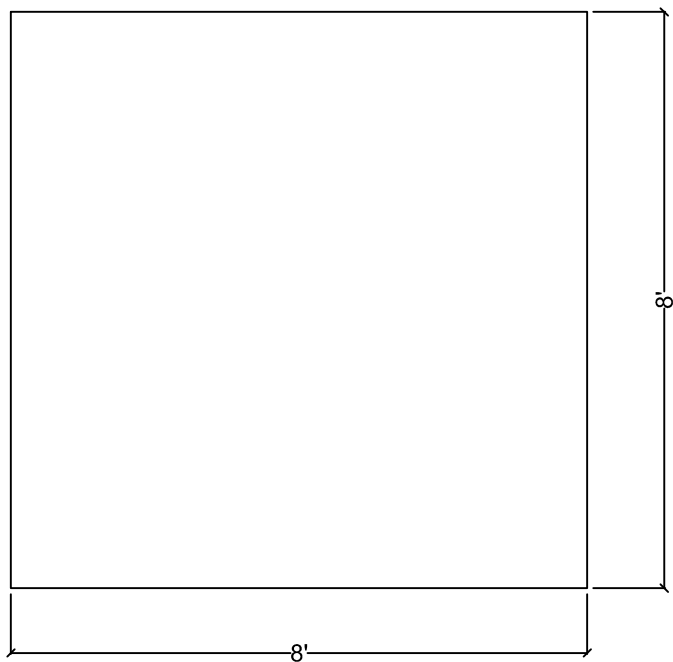


WINDOW

NOTE: BUILD (2)

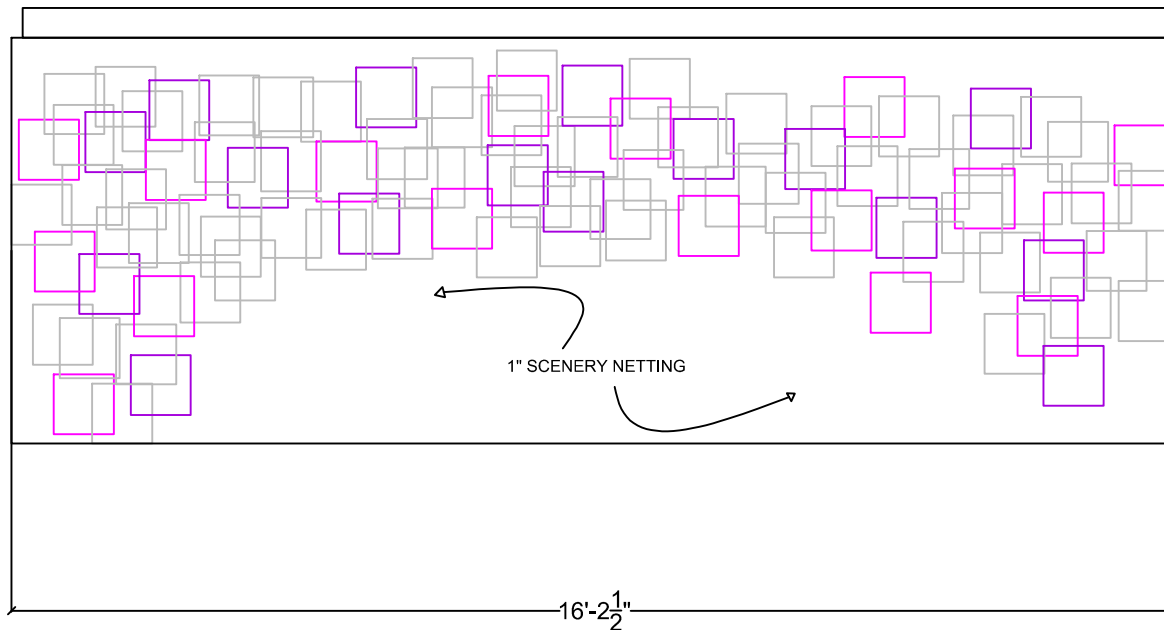


Barter Theatre Stage II
Barter Players 2014 Fall Season

<i>Anne of Green Gables</i>
Drawing Date: 8.14.2014
Revision Date: 8.18.2014
Plot Date: n/a
Director: Katy Brown
Tech Director: Caspar Eichin
Dwg By: HMB
Designer: Holly M Breuer
Drawing: Windows
Plate Scale: 3/4" = 1'-0"
Plate # 5 of 6

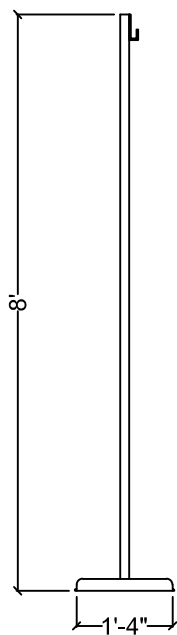


TOUR BACK DROP

NOTE: WILL NEED TO INSTALL A HOOK AT TOP CENTER OF DROP FRAME TO HANG CHIFFON FROM.



TOUR VOILE DROP



CHIFFON POSTS

NOTE: BUILD (2)

NOTE: POSTS - BUILD OR MODIFY FROM STOCK.

Barter Theatre
Stage II

Barter Players
2014 Fall Season



Anne of Green Gables

Drawing Date: 8.14.2014

Revision Date: n/a

Plot Date: n/a

Director: Katy Brown

Tech Director: Caspar Eichin

Dwg By: HMB

Designer: Holly M Breuer

Drawing: Tour

Plate Scale: 3/8" = 1'-0"

Plate
6 of 6